

Resources

Container Specifications Air

Container Specifications – AIR

◆ Lower Deck Container-IATA Type 8D-IATA Prefix: APA-APA: LD-2

Maximum Gross Weight

1,225 kg / 2,700 lb

Volume

3.4 m³ / 120 ft³

Tare

60 kg / 132 lb

External Dimensions

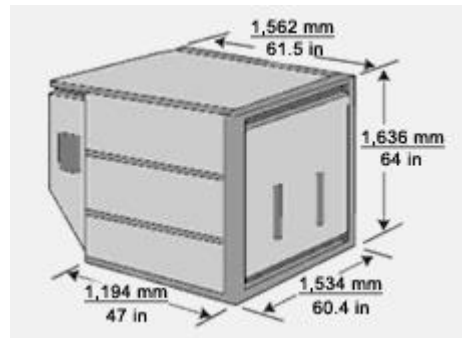
(L x W x H)

1,194 mm x 1,534 mm x 1,626 mm

(47 in x 60.4 in x 64 in)

Aircraft Accepted For

777, 767



◆ Lower Deck Container-IATA Type 8-IATA Prefix: AK-ATA: LD-3

Maximum Gross Weight

1,588 kg / 3,500 lb

Volume

4.53 m³ / 160 ft³

Tare

70 kg / 154 lb

External Dimensions

(L x W x H)

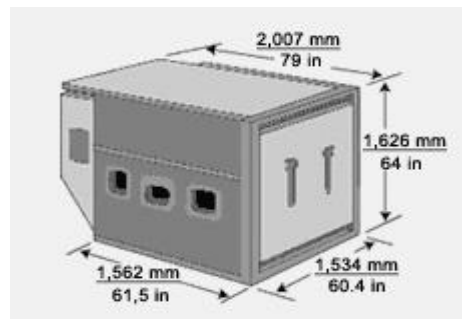
1,562 mm x 1,534 mm x 1,626 mm

(61.5 in x 60.4 in x 64 in)

Aircraft Accepted For

DC10-30 Freighter, DC10, 747, 777,

767



◆ **Lower Deck Container-IATA Type 6-IATA Prefix: ALF-ATA: LD-6**

Maximum Gross Weight

3,175 kg / 7,000 lb

Volume

6.94 m³ / 245 ft³

Tare

180 kg / 397 lb

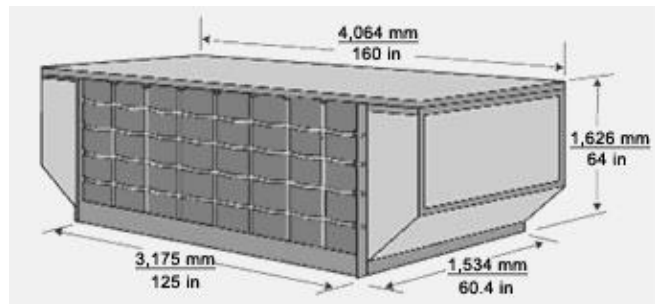
External Dimensions

(L x W x H)

3,175 mm x 1,534 mm x 1,626 mm (125 in x 60.4 in x 64 in)

Aircraft Accepted For

747, 747F, L1011



◆ **Lower Deck Container-IATA Type 6B-IATA Prefix: AQ-ATA: LD-8**

Maximum Gross Weight

2,449 kg / 5,400 lb

Volume

6.94 m³ / 245 ft³

Tare

120 kg / 264 lb

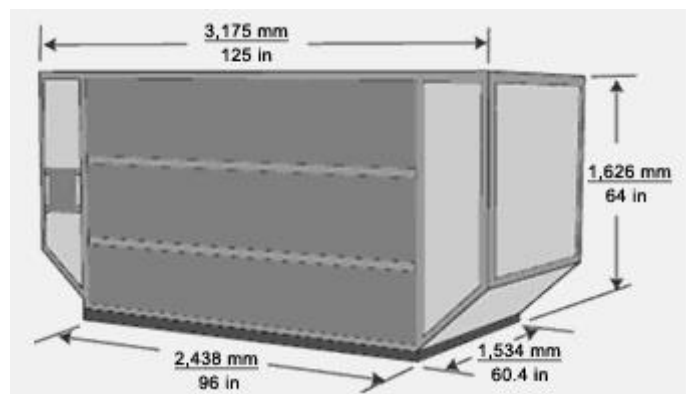
External Dimensions

(L x W x H)

2,438 mm x 1,534 mm x 1,626 mm (96 in x 60.4 in x 64 in)

Aircraft Accepted For

777, 767



◆ **Container-IATA Type 5-IATA Prefix: AAP-ATA: LD-9**

Maximum Gross Weight

6,033 kg / 13,300 lb

Volume

9.91 m³ / 350 ft³

Tare

200 kg / 440 lb

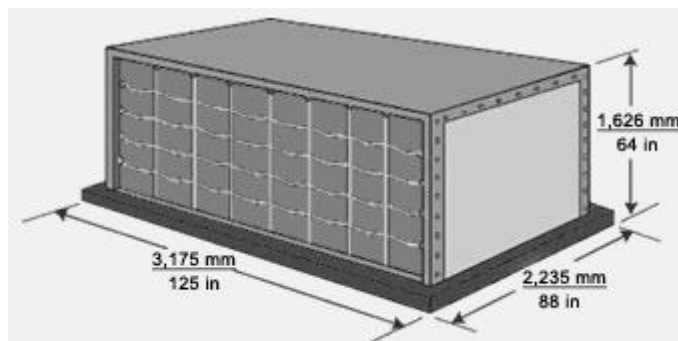
External Dimensions

(L x W x H)

3,175 mm x 2,235 mm x 1,626 mm (125 in x 88 in x 64 in)

Aircraft Accepted For

747, 747F, L1011



◆ **Main Deck Container-IATA Type 2/2Q-IATA Prefix: AMA**

Maximum Gross Weight

6,804 kg / 15,000 lb

Volume

17.16 m³ / 606 ft³

Tare

260 kg / 572 lb

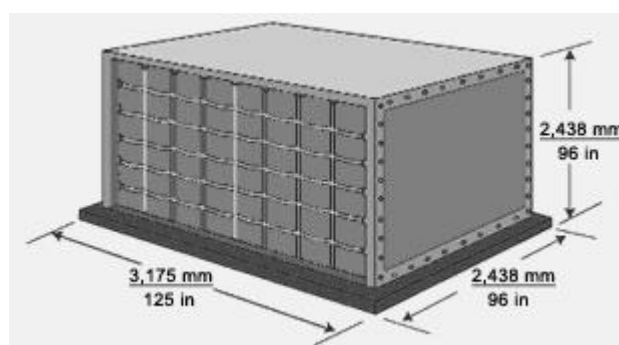
External Dimensions

(L x W x H)

3,175 mm x 2,438 mm x 2,438 mm (125 in x 96 in x 96 in)

Aircraft Accepted For

747F



◆ **Lower Deck Container-IATA Type 2BG-IATA Prefix: AMU**

Maximum Gross Weight

6,033 kg / 13,300 lb

Volume

13.7 m³ / 480 ft³

Tare

200 kg / 440 lb

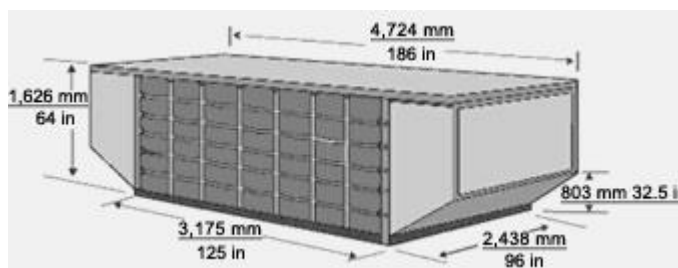
External Dimensions

(L x W x H)

3,175 mm x 2,438 mm x 1,626 mm (125 in x 96 in x 64 in)

Aircraft Accepted For

747, 747F



◆ **Lower Deck Pallet with Net-IATA Type 6-IATA Prefix: PL**

Maximum Gross Weight

3,175 kg / 7,000 lb

Volume

6.94 m³ / 245 ft³

Tare

90 kg / 198 lb

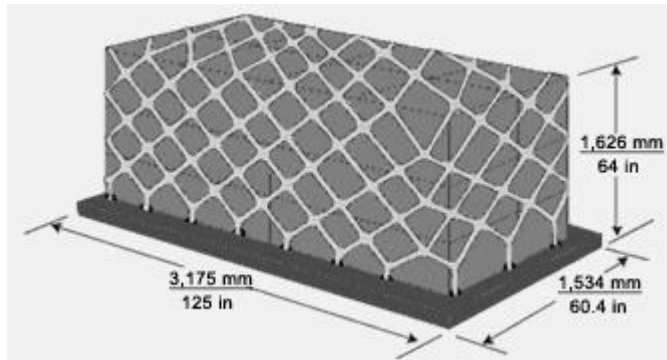
External Dimensions

(L x W x H)

3,175 mm x 1,534 mm x 1,626 mm (125 in x 60.4 in x 64 in)

Aircraft Accepted For

DC10, DC10-30 Freighter, 747, 777



◆ **Pallet with Net-IATA Type 5-IATA Prefix: PA**

Maximum Gross Weight

4,626 kg / 10,200 lb

Volume

9.91 m³ / 350 ft³

Tare

120 kg / 264 lb

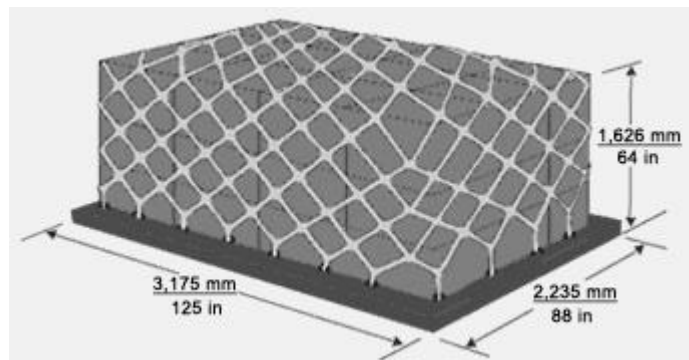
External Dimensions

(L x W x H)

3,715 mm x 2,235 mm x 1,626 mm (125 in x 88 in x 64 in)

Aircraft Accepted For

DC10-30 Freighter, DC10-30
747, 747F, 777, 767-300



**Pallet with
Net-IATA
Type 2WA-
IATA
Prefix: PM**

Maximum Gross Weight

5,035 kg / 11,100 lb

Volume

15.8 m³ / 557 ft³

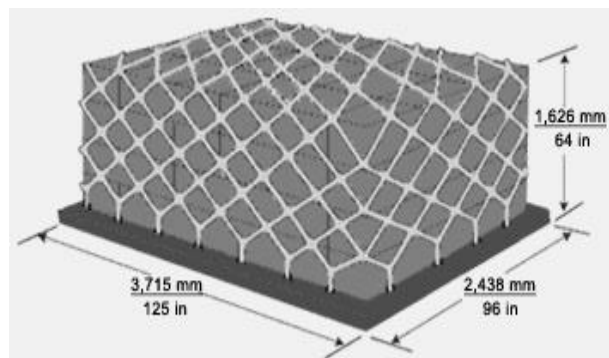
Tare

130 kg / 287 lb

External Dimensions

(L x W x H)

3,715 mm x 2,438 mm x 1,626



mm (125 in x 96 in x 64 in)
Aircraft Accepted For
DC10-30, Freighter, DC10-30,
747, 747F



❖ **Main Deck Pallet with Net-IATA Type 2H-IATA Prefix: PM**

Maximum Gross Weight

6,804 kg / 15,000 lb

Volume

21.16 m³ / 747 ft³

Tare

130 kg / 287 lb

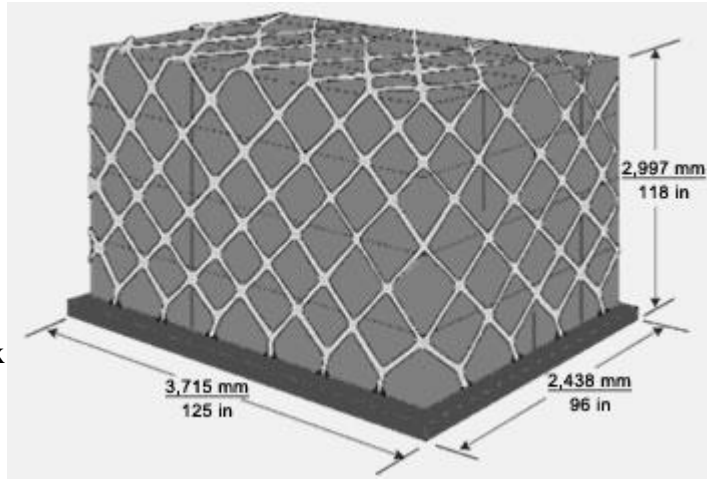
External Dimensions

(L x W x H)

3,715 mm x 2,438 mm x
2,997 mm (125 in x 96 in x
118 in)

Aircraft Accepted For

DC10-30 Freighter, 747F



❖ **Main Deck Pallet with Net-IATA Type 2/2Q-IATA Prefix: PM**

Maximum Gross Weight

6,804 kg / 15,000 lb

Volume

17.16 m³ / 606 ft³

Tare

130 kg / 287 lb

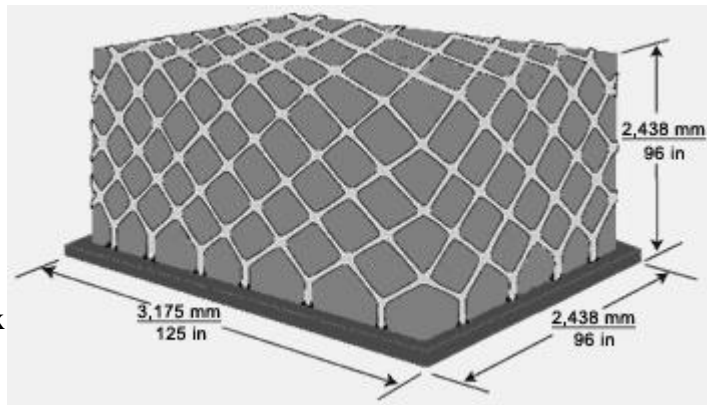
External Dimensions

(L x W x H)

3,175 mm x 2,438 mm x
2,438 mm (125 in x 96 in x
96 in)

Aircraft Accepted For

DC10-30 Freighter, 747F



❖ **Main Deck Pallet with Net-IATA Type 1/1S-IATA Prefix: PG**

Maximum Gross Weight

13,608 kg / 30,000 lb

Volume

33.25 m³ / 1,174 ft³

Tare

400 kg / 882 lb

External Dimensions

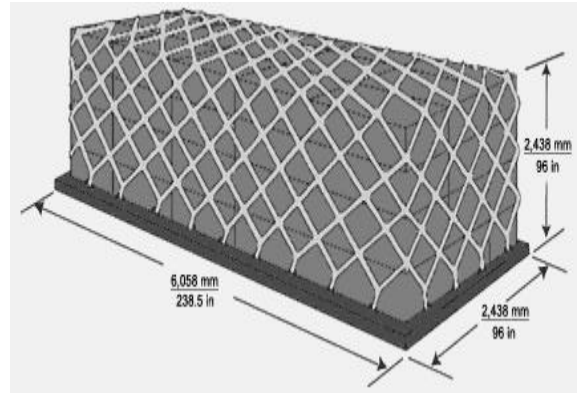
(L x W x H)

6,058 mm x 2,438 mm x 2,438 mm

(238.5 in x 96 in x 96 in)

Aircraft Accepted For

DC10-30 Freighter, 747F



Container Specifications Sea

:: Dry Cargo Container

- ◆ 20' Steel Dry Cargo Container
- ◆ 40' Steel Dry Cargo Container
- ◆ 40' Hi-Cube Steel Dry Cargo Container
- ◆ 45' Hi-Cube Steel Dry Cargo Container

:: Refrigerated Container

- ◆ 20' M.G.S.S. Refrigerated Container
- ◆ 20' Aluminum Refrigerated Container
- ◆ 40' M.G.S.S. Hi-Cube Refrigerated Container
- ◆ 40' Hi-Cube Aluminum Refrigerated Container

:: Special Container

- ◆ 20' Full Height Open Top Container
- ◆ 20' Flat Rack Container with Collapsible End
- ◆ 40' Flat Rack Container with Collapsible End
- ◆ 40' Full Height Open Top Container
- ◆ 40' Hi-Cube Hanger Container

:: Dry Cargo Container

- ◆ 20' Steel Dry Cargo Container

Exterior		
Length	Width	Height
20'-0"	8'-0"	8'-6"
6.058 m	2.438 m	2.591 m
Interior		
Length	Width	Height
19'-4 13/16"	7'-8 19/32"	7'-9 57/64"
5.898 m	2.352 m	2.385 m



Weight			Door Opening	
MGW	TARE	NET	Width	Height
52,910 lb	5,140 lb	47,770 lb	7'-8 1/8"	7'-5 3/4"
67,200 lb	5,290 lb	61,910 lb	2.343 m	2.280 m
24,000 kg	2,330 kg	21,670 kg	CU.M	CU.FT
30,480 kg	2,400 kg	28,080 kg	33.1	1,169

Purpose
Captioned units(MGW 30,480 KG) can be coordinated from EMCU 3204073 and EISU 3568118. Used for all kinds of general cargo.



◆ **40' Steel Dry Cargo Container**

Exterior		
Length	Width	Height
40'-0"	8'-0"	8'-6"
12.192 m	2.438 m	2.591 m
Interior		
Length	Width	Height
39'-5 45/64"	7'-8 19/32"	7'-9 57/64"
12.032 m	2.352 m	2.385 m



Weight			Door Opening	
MGW	TARE	NET	Width	Height
67,200 lb	8,820 lb	58,380 lb	7'-8 1/8"	7'-5 3/4"
			2.343 m	2.280 m
30,480 kg	4,000 kg	26,480 kg	CU.M	CU.FT
			67.5	2,385
Purpose				
Used for all kinds of general cargo.				

◆ **40' Hi-Cube Steel Dry Cargo Container**

Exterior		
Length	Width	Height
40'-0"	8'-0"	9'-6"
12.192 m	2.438 m	2.896 m
Interior		
Length	Width	Height
39'-5 45/64"	7'-8 19/32"	8'-9 15/16"
12.032 m	2.352 m	2.69 m



Weight			Door Opening	
MGW	TARE	NET	Width	Height
67,200 lb	9,260 lb	57,940 lb	7'-8 1/8"	8'-5 49/64"
			2.343 m	2.585 m
30,480 kg	4,200 kg	26,280 kg	CU.M	CU.FT
			76.2	2,690
Purpose				
Used for all kinds of general cargo.				



◆ **45' Hi-Cube Steel Dry Cargo Container**

Exterior		
Length	Width	Height
45'-0"	8'-0"	9'-6"
13.716 m	2.438 m	2.896 m
Interior		
Length	Width	Height
44'-5 7/10"	7'-8 19/32"	8'-10 17/64"



13.556 m	2.352 m	2.698 m
----------	---------	---------

Weight			Door Opening	
MGW	TARE	NET	Width	Height
67,200 lb	10,580 lb	56,620 lb	7'-8 1/8"	8'-5 3/4"
			2.340 m	2.585 m
30,480 kg	4,800 kg	25,680 kg	CU.M	CU.FT
			86.1	3,040
Purpose				
Used for all kinds of general cargo.				



:: Refrigerated Container

◆ 20' M.G.S.S. Refrigerated Container

Exterior		
Length	Width	Height
20'-0"	8'-0"	8'-6"
6.058 m	2.438 m	2.591 m
Interior		
Length	Width	Height
18'- 17/32"	7'-6 15/32"	7'-5 39/54"
5.5 m	2.298 m	2.276 m



Nominal			Weight	
Cubic Capacity			MGW	TARE
1006 cu.ft.			67,180 lb	6,700 lb
28.5 cu.m.			30,480 kg	3,040 kg
			CU.M	CU.FT
			28.8	1,016
Cooling capacity	Air exchange rate		Type	Temp. control precision
w(kcal)/C(F)	CFM	cu.m/hr	MHI	+ -0.25C
11,000(9,460)/1.7(35)	0-106	0-180	CPE14-2BAIIIIEU	
6,280(5,400)/-18(0)			CARRIER	+ -0.25C
10,550(9,073)/2(35)	0-142	0-240	69NT40-551-501	
6,150(5,289)/-18(0)				
Purpose				
Used for all kinds of general cargo.				



◆ 20' Aluminum Refrigerated Container

Exterior		
Length	Width	Height
20'-0"	8'-0"	8'-6"
6.058 m	2.438 m	2.591 m
Interior		
Length	Width	Height
17'-9 15/16"	7'-6"	7'-3.63/64"
5.543 m	2.286 m	2.235 m



Nominal	Weight
---------	--------

Cubic Capacity			MGW	TARE
978.46 cu.ft.			52,800 lb	6,314 lb
			24,000 kg	2,870 kg
27.72 cu.m.			CU.M	CU.FT
			27.72	978.46
Cooling capacity w(kcal)/C(F)	Air exchange rate CFM		Type	Temp. control precision
11,000(9,460)/1.7(35)	0-106	0-180	MHI	+ -0.25C
6,280(5,400)/-18(0)			CPE14-2BAIIIIEU	



◆ 40' M.G.S.S. Hi-Cube Refrigerated Container

Exterior		
Length	Width	Height
40'-0"	8'-0"	9'-6"
12.192 m	2.438 m	2.896 m
Interior		
Length	Width	Height
37'-11 55/64"	7'-6 15/32"	8'-4 5/32"
11.579 m	2.298 m	2.544 m



Nominal			Weight	
Cubic Capacity			MGW	TARE
2,390 cu.ft.			74,960 lb	9,150 lb
			34,000 kg	4,150 kg
67.70 cu.m.			CU.M	CU.FT
			67.7	2,390
Cooling capacity w(kcal)/C(F)	Air exchange rate CFM		Type	Temp. control precision
11,000(9,460)/1.7(35)	0-106	0-180	MHI	+ -0.25C
6,280(5,400)/-18(0)			CPE16-2BAIIIIEV	
10,550(9,073)/2(35)	0-142	0-240	CARRIER	+ -0.25C
6,150(5,289)/-18(0)			69NT40-551-501	



◆ 40' Hi-Cube Aluminum Refrigerated Container

Exterior		
Length	Width	Height
40'-0"	8'-0"	9'-6"
12.192 m	2.438 m	2.896 m
Interior		
Length	Width	Height
38'-1 13/32"	7'-6"	8'-2 23/32"
11.618 m	2.286 m	2.507 m



Nominal			Weight	
Cubic Capacity			MGW	TARE
2351 cu.ft.			67,200 lb	9,480 lb
			30,480 kg	4,300 kg
66.58 cu.m.			CU.M	CU.FT
			66.6	2,351
Cooling capacity CFM	Air exchange rate cu.m/hr		Type	Temp. control precision
11,000(9,460)/1.7(35)	0-106	0-180	MHI	+ -0.25C
6,280(5,400)/-18(0)			CPE14-2BAIIIA/ES	



:: Special Container

◆ 20' Full Height Open Top Container

Exterior		
Length	Width	Height
19'-10 1/2"	8'-0"	8'-6"
6.058 m	2.438 m	2.591 m
Interior		
Length	Width	Height
19'-4 13/64"	7'-8 19/32"	7'-7 11/16"
5.898 m	2.352 m	2.329 m



Weight			Door Opening	
MGW	TARE	NET	Width	Height
52,910 lb	5,310 lb	47,600 lb	7'-8 1/4"	7'-4 31/32"
24,000 kg	2,410 kg	21,590 kg	2.343 m	2.260 m
	CU.M			CU.FT
	32.5			1,148
Purpose				
Captioned units can be coordinated from UGMU 490001~UGMU 490150 and EMCU 460161~EMCU 460520.				



◆ 20' Flat Rack Container with Collapsible End

Exterior		
Length	Width	Height
20'-0"	8'-0"	8'-6"
6.058 m	2.438 m	2.591 m
Interior		
Length	Width	Height
18'-5 31/32"	7'-3 23/32"	7'-3 59/64"
5.638 m	2.228 m	2.233 m
Weight		
MGW	TARE	NET
74,950 lb	6,370 lb	68,580 lb
34,000 kg	2,890 kg	31,110 kg



Purpose	
Captioned units can be coordinated from EISU 750000 to EISU 750300.	



◆ 40' Flat Rack Container with Collapsible End

Exterior		
Length	Width	Height
40'-0"	8'-0"	8'-6"
12.192 m	2.438 m	2.591 m
Interior		
Length	Width	Height
38'-7 39/64"	7'-3 23/32"	6'-4 61/64"
11.752 m	2.374 m	1.955 m
Weight		
MGW	TARE	NET
99,210 lb	10,800 lb	89,410 lb
45,000 kg	4,900 kg	40,100 kg



Purpose
Captioned units can be coordinated from EISU 710000~EISU 710500.



◆ 40' Full Height Open Top Container

Exterior		
Length	Width	Height
40'-0"	8'-0"	8'-6"
12.192 m	2.438 m	2.591 m
Interior		
Length	Width	Height
39'-7"	7'-8 9/10"	7'-8 3/5"
12.032 m	2.352 m	2.348 m
Weight		
MGW	TARE	NET
67,200 lb	9,499 lb	57,701 lb
30,480 kg	4,300 kg	26,180 kg



CU.M	CU.FT
65.9	2,327
Purpose	
Captioned units can be coordinated from EMCU 400362~EMCU 400601, UGMU 407001~UGMU 407050 and EISU 400001~EISU 400600.	



◆ 40' Hi-Cube Hanger Container

Exterior		
Length	Width	Height
40'-0"	8'-0"	9'-6"
12.19 m	2.44 m	2.90 m
Interior		
Length	Width	Height
39'-5 45/64"	7'-8 19/32"	8'-9 15/16"
12.03 m	2.35 m	2.69 m



Weight			Door Opening	
MGW	TARE	NET	Width	Height
67,200 lb	9,172 lb	58,028 lb	7'-8 1/8"	8'-5 49/64"
30,480 kg	4,200 kg	26,280 kg	2.343 m	2.585 m
Purpose				
Used for all kinds of garment.				



- ∴ The Listed statues are for customers' easy reference only. Before picking up requested containers, please contact the Assigned sales person in order to confirm required specification.

- ∴ The specifications listed above are for indication purpose only. Please always refer to the container right door for actual Specifications.

* Pl. note: These are approximate measurements and may vary slightly from line to line.